



# Modification Bulletin

Page

1 of 2

Reference <b>Airplane 91A, 91B, 91B-2, 91C and 91D Nose wheel casing</b>	Date <b>November 23, 1959</b>	No. <b>91.1/16</b>						
	Saab Service Dept. <b>C Larsson</b>							
Urgency <b>IV</b>	Saab Design. Dept. <b>J Boklund</b>	Royal Swedish Board of Civil Aviation <b>S Fogelström</b>						
	Marking <b>-</b>		Effect on weight distribution					
		<table border="1"> <tr> <th>Weight change Lbs</th> <th>Station In.</th> <th>Moment change Lbsin.</th> </tr> <tr> <td>-</td> <td>-</td> <td>-</td> </tr> </table>	Weight change Lbs	Station In.	Moment change Lbsin.	-	-	-
Weight change Lbs	Station In.	Moment change Lbsin.						
-	-	-						

Time of delivery for necessary parts  
**3 months after order**

**K/K**

<b><u>Drawing:</u> Not essential</b>	<b><u>Aircraft concerned:</u> 91 101 - 91 374</b>
<b><u>Parts required per plane:</u></b>	<b><u>Spare parts involved:</u> Profile 519304ur</b>

<u>Item</u>	<u>Ref. figure</u>		
01	1	Profile 1153191ur	Alumin
02	2	Bracket 1153193ur	Alumin
	12	Rivet AS 211501-3,2x9	Alumin 3514-3

**Parts to be rejected:**

1	1	Profile 519304ur
---	---	------------------

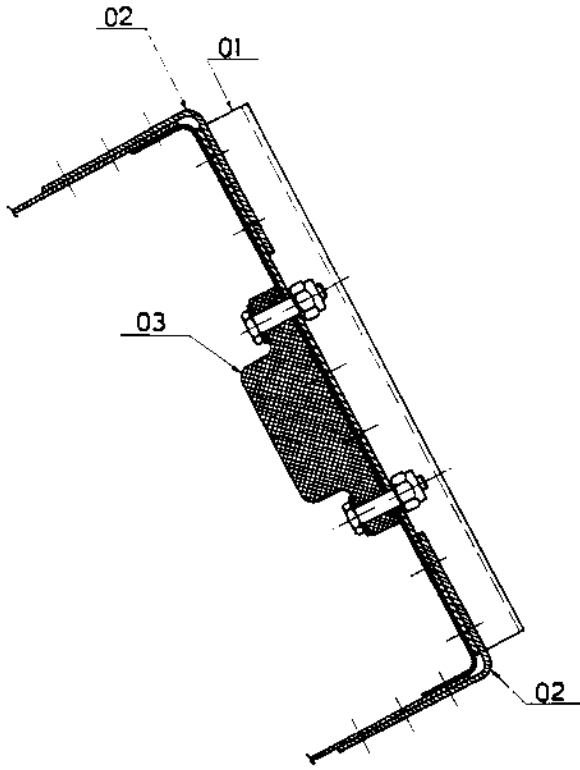
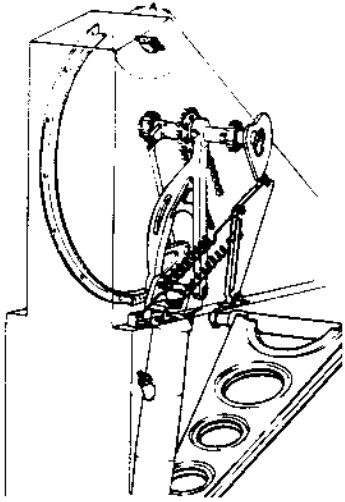
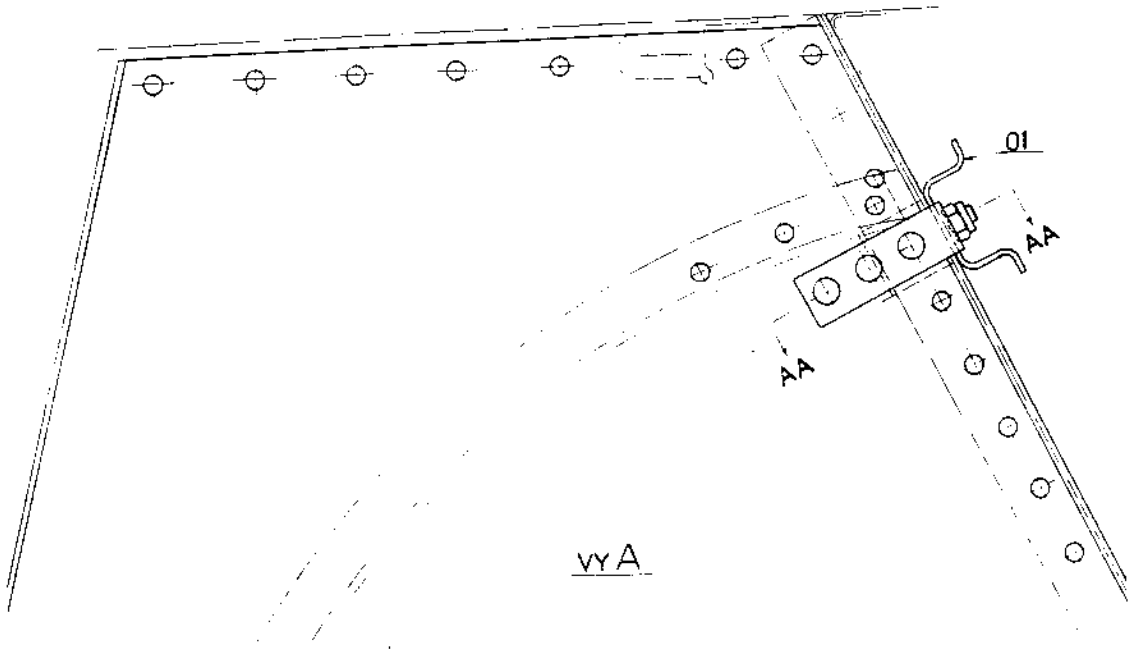
**Information:**

In case cracks have arised in the profile to which the rubber bumper for the nose gear is fixed, the profile can be replaced and 2 brackets introduced.

**Work procedure:**

Loosen the engine instrument panel.  
 Remove bumper 03 according to figure.  
 Drill out the rivets in the profile.  
 Drill holes in the new profile item 01 and brackets item 02 after existing holes in the nose gear casing. Rivet the profiles and the brackets by KN 3,2 AS 211501 acc. to figure.  
 Fit bumper item 03.  
 Fit engine instrument panel.

IN 347201. 4. 59. 1000



SEKTION AA-AA