



LINKÖPING  
SWEDEN

*Svenska Aeroplan Aktieföretaget*

# service bulletin

Date May 1957

No. 91. 1. 001

**AIRCRAFT SAAB SAFIR 91A, 91B, 91B-2 AND 91C.**

**SUBJECT:** Introduction of access holes in the front floor panels and in the pedal supports.

**REASON:** Improved accessibility to the rear nuts of the engine mount bolts through the fire wall.

**TIME OF COMPLIANCE:** Optional.

**PARTS AFFECTED:**

1. 91A

Front floor panel LH and RH, Spare Parts Catalogue 91. 1100/01 pos 12, part nr 506389ur and pos 13 part nr 506390ur. Pedal support, Spare Parts Catalogue 91. 1100/01 pos 14, part nr SA 590206 and pos 15 part nr SA 590207.

2. 91B, 91B-2 and 91C

Front floor panel LH and RH, Spare Parts Catalogue 91. 1105/01 pos 12 part nr 506389ur and pos 13 part nr 506390ur. Pedal support LH and RH, Spare Parts Catalogue 91. 1105/01 pos 14 part nr SA 1079813 and pos 15 part nr SA 1079814.

**WORK PROCEDURE:**

Enlarge the holes in the LH and RH front floor panel above the brackets for the engine mount bolts according to fig. 1.

Cut out holes in the front section of the LH and RH pedal support according to fig. 2.

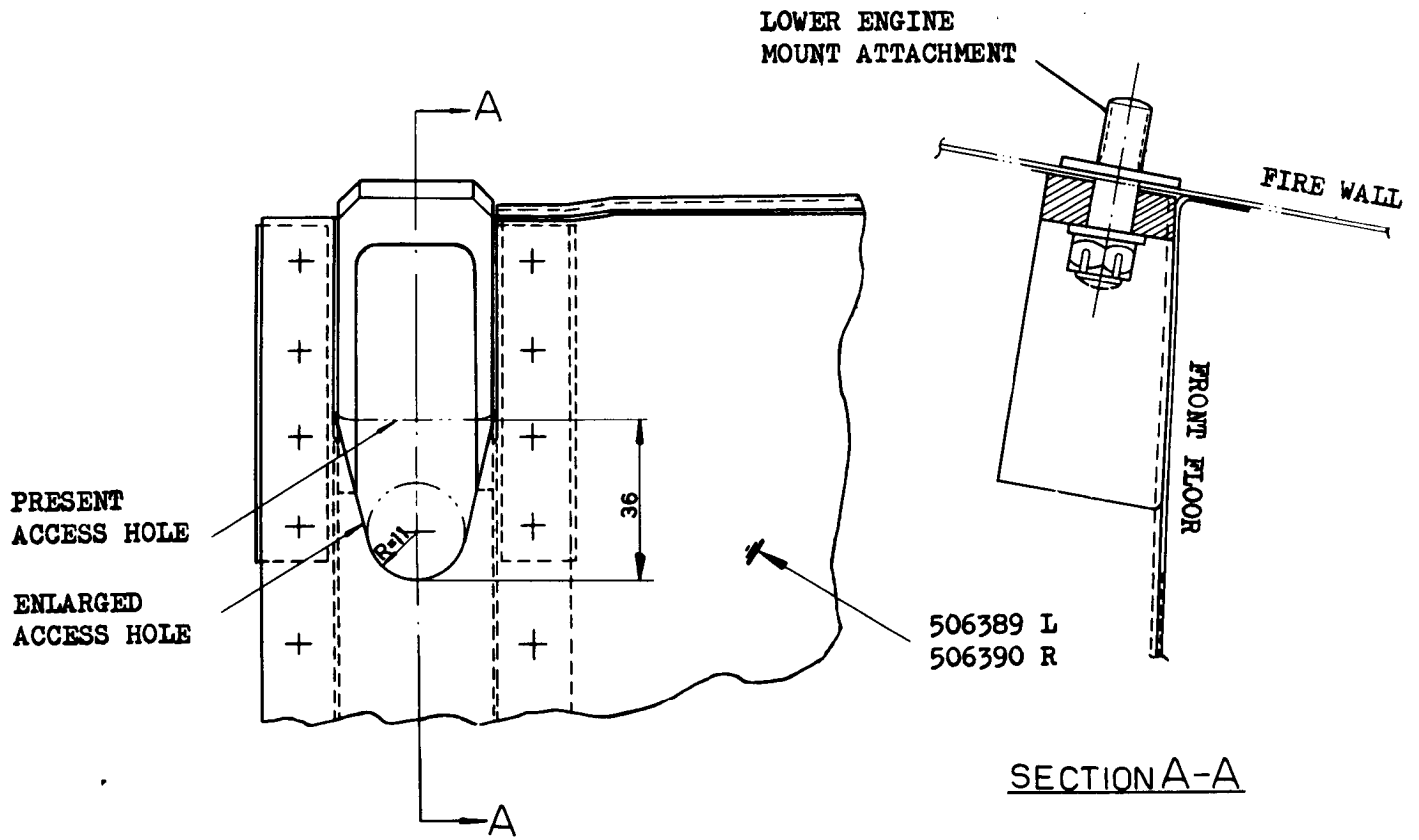
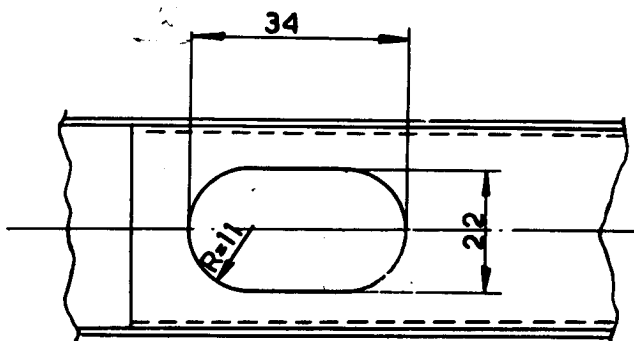
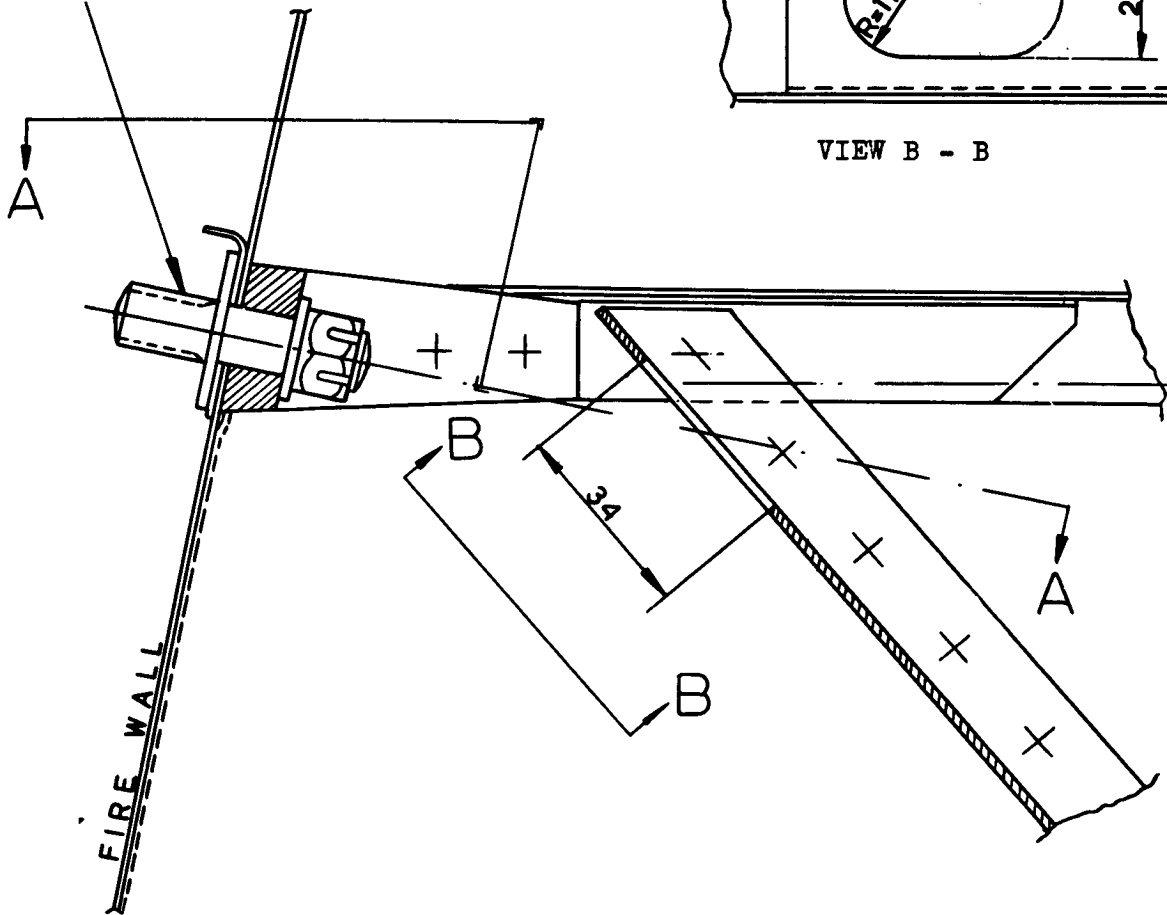


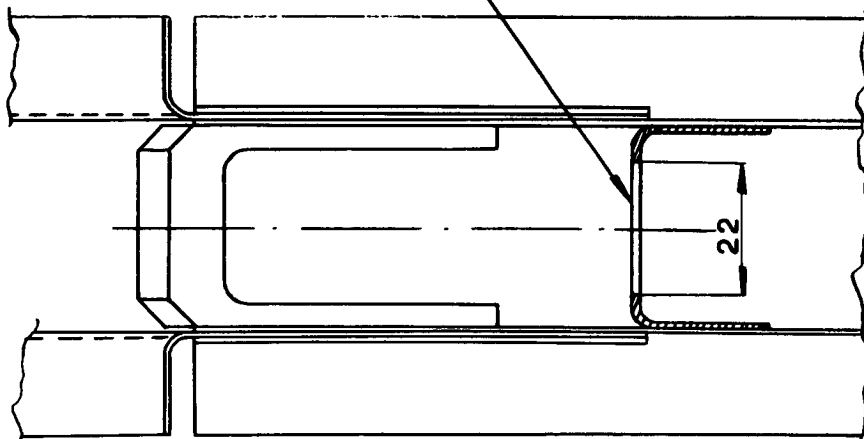
Figure 1

UPPER ENGINE  
MOUNT ATTACHMENT



VIEW B - B

NEW ACCESS HOLE



VIEW A - A

Figure 2