



service bulletin

Date: April 1960

No. 91. 2. 003

AIRCRAFT SAAB SAFIR 91B, 91B-2, 91C AND 91D
(equipped with Goodyear hydraulic brakes)

SUBJECT: Tool for removing of disc clips on Goodyear brake unit.

REASON: As it has been found difficult to remove the main wheels without destroying the clips holding the brake disc, a special tool can be made for removing the clips according to figure 1.

The use of the tool is evident from figure 2.

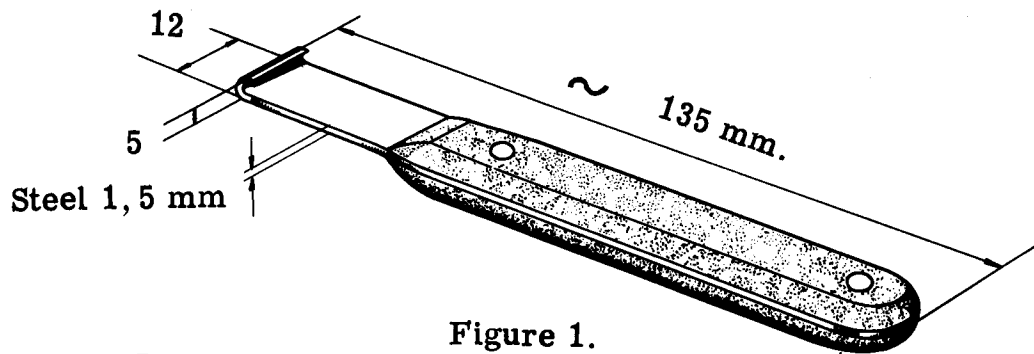
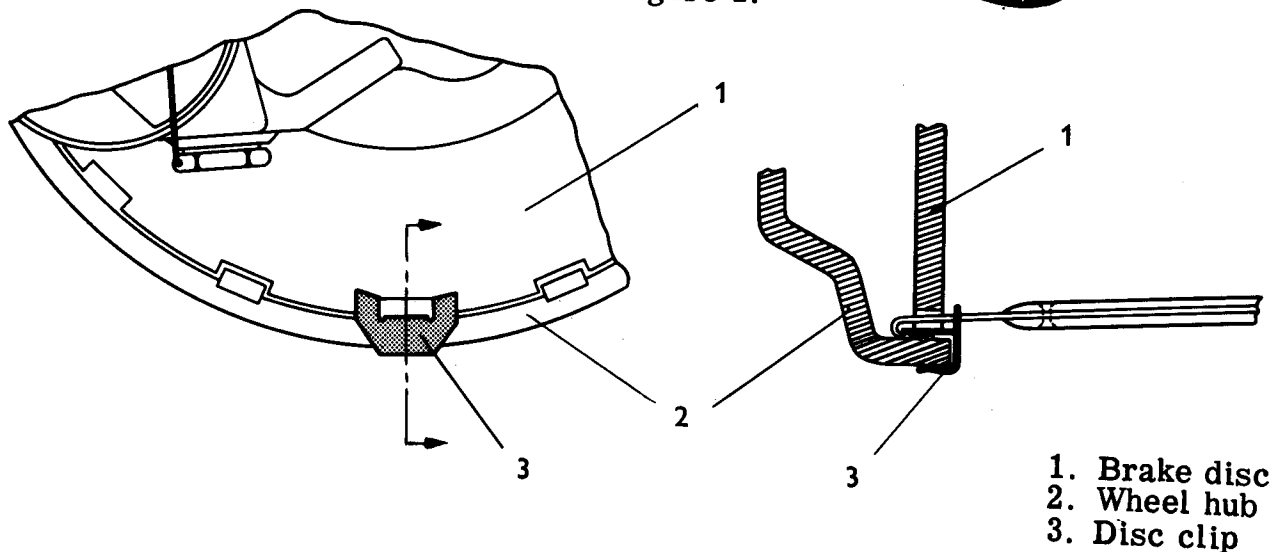


Figure 1.



- 1. Brake disc
- 2. Wheel hub
- 3. Disc clip

Figure 2.