



# MODIFICATION BULLETIN

AIRPL  
MODEL  
91A  
Safir

91.4120/2

PAGE 1 OF 1

Pedal set. Replacement of split pin.

URGENCY: III

EFFECT ON WEIGHT DISTRIBUTION:

TIME OF DELIVERY  
FOR NECESSARY PARTS: —

WEIGHT CHANGE  
LBS.

STATION  
IN.

MOMENT CHANGE  
LBSIN.

K/K

-

-

-

MARKING: -

Drawing not required.

Aircraft concerned:

91101-91148

Parts required for planes:

Spare parts involved:

Item Ref. figure

01 4 Split pin AS 211401-2 x 12

-

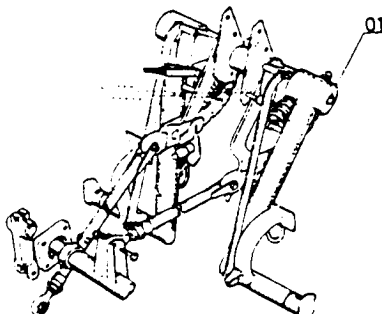
As it has proved that the 1 mm split pin, locking the rudder pedal axially may be sheared off, it should be replaced by a 2 mm split pin.

Work procedure:

Check that there is a minimum axial play of 0,6 mm on the shaft in the pedal set.

Remove the split pin and the washer retaining the pedal on the shaft. Drill up the hole in the shaft to 2,2 mm. In case the play is less than 0,6 mm the holes should be "drawn" towards the shaft end enabling the installation of split pin and washer without causing seizing.

Install the washer and the split pin item 01 according to the figure.



March 21, 1953

SAAB SERVICE DEPT:

SAAB DESIGN DEPT:

ROYAL SWEDISH AERONAUTICS BOARD:

*Larsson*

*Henderson*

*Agentzon*